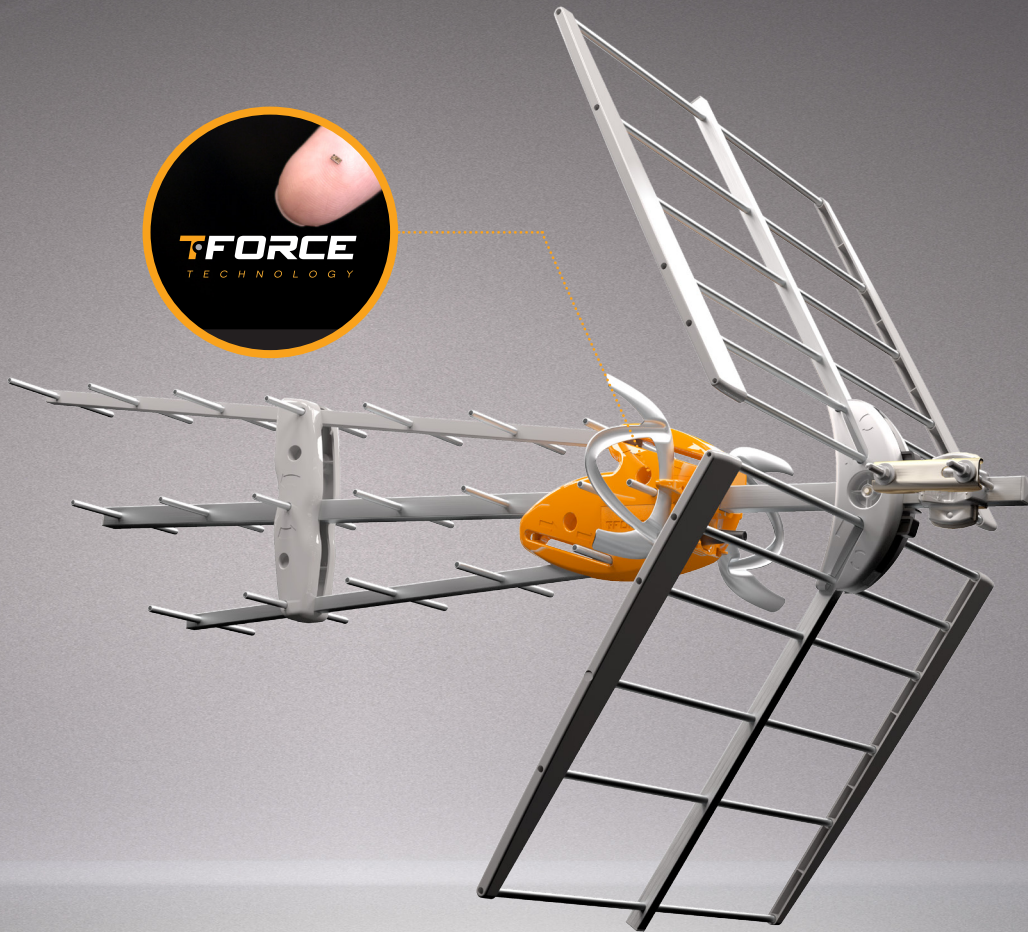


# DATBOSS

## TFORCE TECHNOLOGY ANTENNA

Televes goes beyond the silicon era into the new era in electronic component design, which allows building integrated circuits that work in the microwave frequency band.

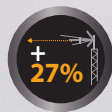
TForce is based on the manufacturing of gallium arsenide (GaAs) semiconductor compounds, **which provides products with functionalities that are difficult to match.**



### IF DATBOSS TFORCE CANNOT DETECT IT, IT CANNOT BE SEEN!



HIGH DYNAMIC RANGE



WIDER DTT COVERAGE AREA



VERY HIGH GAIN



VERY LOW NOISE FIGURE



MANUFACTURED IN EUROPE

SCAN TO WATCH VIDEO



EN.TELEVES.COM/DATBOSS



100% Designed, Developed & Manufactured in Televes Corporation  
televescorporation ■ televes.com ■ televes@televes.com

# Televes®



**IF DATBOSS CANNOT DETECT IT, IT CANNOT BE SEEN!**

## DESCRIPTION

**Televes redefined the antenna concept.** Up until now, an antenna was just a receiver device inside a TV installation in which gain and directivity were the main features. The introduction of an intelligent device like BOSS provided the antenna with the capacity to receive very weak signals with no risk of being affected by very strong signals, fluctuations not affecting the final result: the "dynamic range" concept turns out to be the most outstanding among quality parameters.

**Creation of a BOSS with TForce technology, which is based on MMIC components, is an extraordinary milestone in dynamic range optimization.** A technology that allowed the reception of distant satellites' lost signals is now allowing the enhancement of the coverage range in DTT installations.

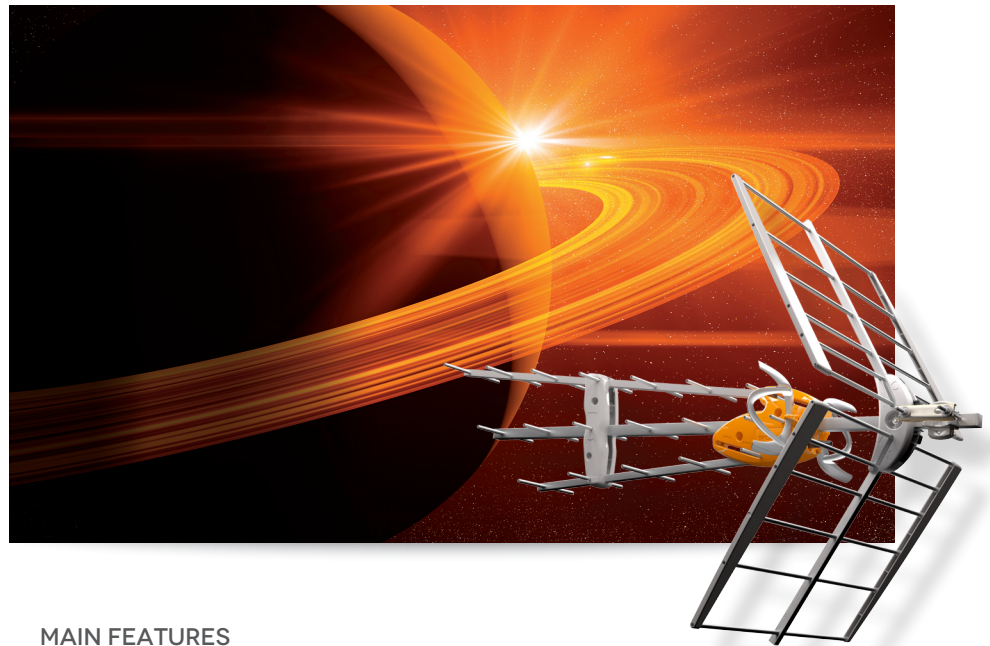


DAT BOSS, with TForce technology, is a unique and universal system for the reception of terrestrial television signals: if DAT BOSS cannot capture it, nothing can.

Watch TForce video.  
[en.televes.com/tforce](http://en.televes.com/tforce)

## IT STANDS OUT FOR

- **Low power consumption** in intelligent mode.
- **Complet product range:**
  - Single and multiple packing.
  - Filtering compliant with 1st (LTE790) or 2nd (LTE700) Digital Dividend.





## MAIN FEATURES

The BOSS Techsystem featured in the DAT-BOSS antenna, automatically **controls the level of the received signal** (either very high or very low) in order to always ensure an optimal output level. Its new design with TForce technology, makes this intelligent device even more versatile:



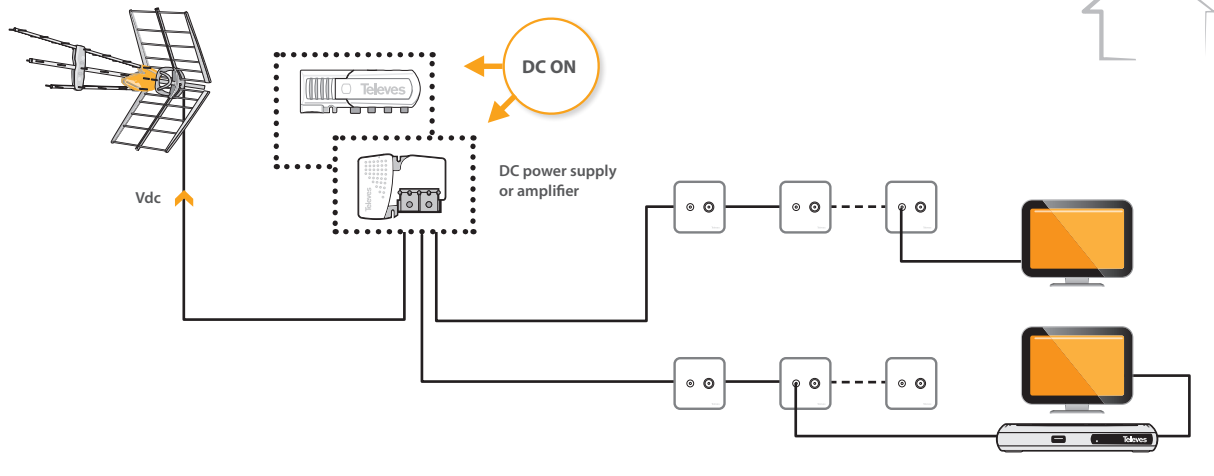
- **HIGH DYNAMIC RANGE:**  
 it allows you to receive high-quality TV in a variety of critical situations, from areas where signals are very weak to installations with high reception levels.
- **DTT COVERAGE ENHANCEMENT:**  
 up to 27% higher than older models.
- **A MORE STABLE RECEPTION:**  
 it supports signal variations or fading with no effect on the TV installation.
- **ÓPTIMAL C/N:**  
 thanks to a noise figure of only 1.2dB that respects the received signal quality.
- **VERY HIGH GAIN:**  
 TForce technology provides BOSS with an increase up to 13dB, reaching 45dBi in intelligent mode.

REF	DESCRIPTION	EAN 13
<b>FILTERING FOR 1ST DIGITAL DIGITAL DIVIDEND</b>		
 149941	ANT.DAT BOSS UHF(C21-60) G 45dBi SINGLE	8424450185025
149942	ANT.DAT BOSS UHF(C21-60) G 45dBi MULTIP.	8424450185049
<b>FILTERING FOR 2ND DIGITAL DIGITAL DIVIDEND</b>		
 149921	ANT.DAT BOSS UHF(C21-48) G 42dBi SINGLE	8424450185056
149922	ANT.DAT BOSS UHF(C21-48) G 42dBi MULTIP.	8424450185063

## DATBOSS ANTENNA WITH TFORCE TECHNOLOGY

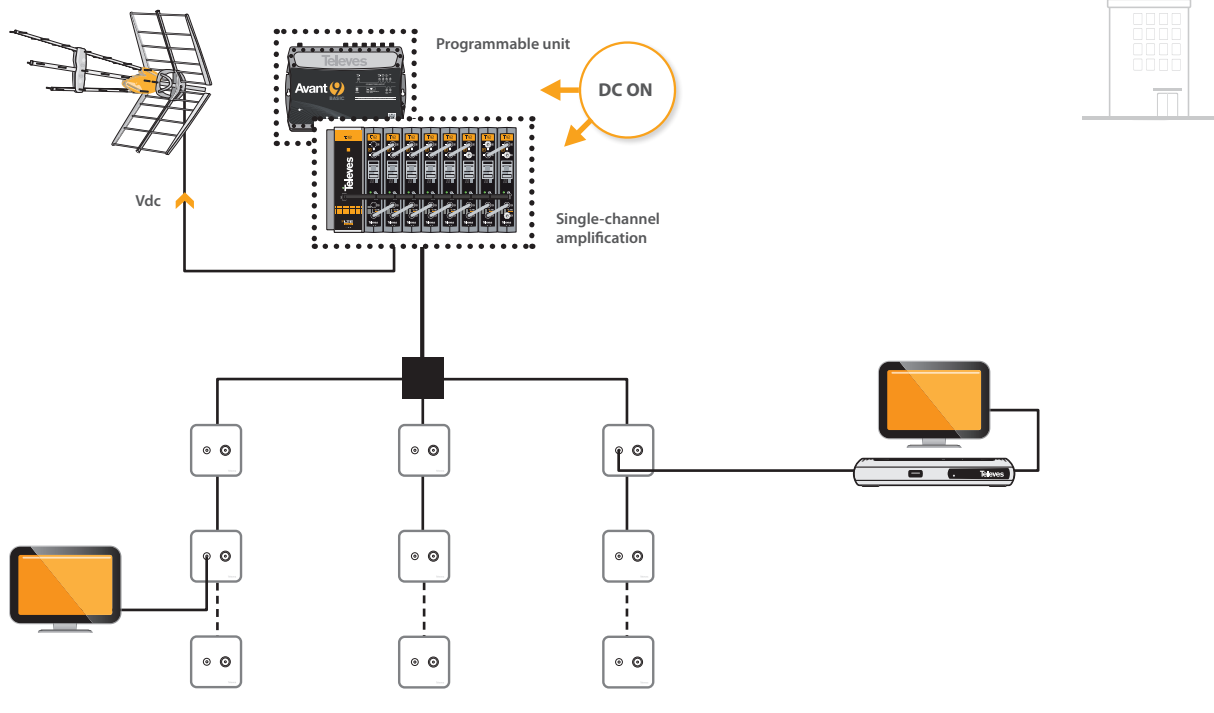
APPLICATION EXAMPLES

### BOSS ACTIVATION BY MEANS OF A POWER SUPPLY UNIT OR AN AMPLIFIER



APPLICATION EXAMPLES

### BOSS ACTIVATION VIA HEADEND SYSTEMS



## OTHER FEATURES

- **Intelligent mode or passive mode work options** (lack of power supply).
- DAT design, based on 3 Yagis antennas with asymmetric directors, provides **great directivity as well as an optimal anti-echo radiation pattern**.
- **Special double-U dipole**: it's open/close format provides optimal frequency response flatness.
- **A fully shielded switch box** protects the BOSS system from impulsive noise; grounded for full protection against electrical discharge.

- **Manufactured in aluminium** (stainless) for a long service life.
- Antennas provided in multiple packing include both a structure folding mechanism and a cam mechanism in the antenna base to optimize **transport and storage**, while making installation easier.
- **Fully automated manufacturing** subject to strict quality control.

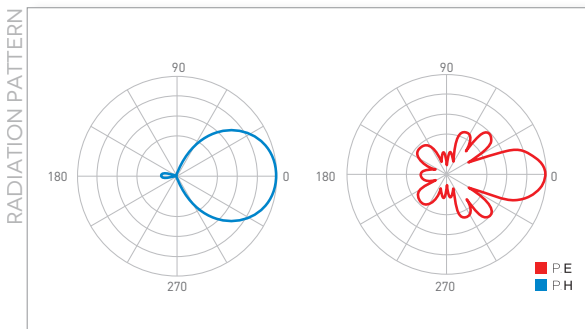
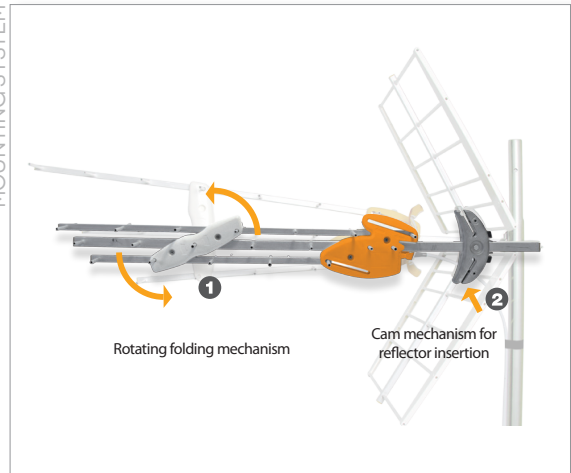
# IF DATBOSS CANNOT DETECT IT, IT CANNOT BE SEEN!

TECHNICAL SPECIFICATIONS

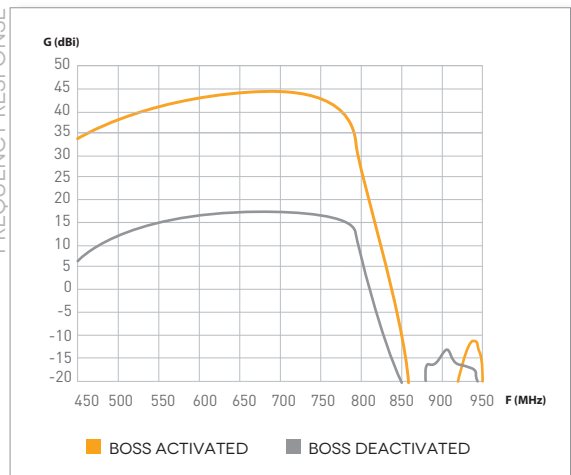
Ref.	149941/149942 & 149921/149922		
Frequency band	MHz	470 - 790 (C.21 - C.60) & 470 - 694 (C.21 - C.48)	
Mode	BOSS	OFF (passive)	ON (active)
Gain	dBi	17	45 máx.* & 42 máx.
Output level		----	Auto*
Noise figure	dB	----	1,2 (typ)
Signal level (recommended)	dBµV	>75	< 75
Supply voltage	V	0	12-24
Power consumption	mA	----	40 máx.
Beamwidth	°	30	
Wind load	N	120 (@ 130 Km/h) 165 (@ 150 Km/h)	

\* Gain varies automatically based on output level.

MOUNTING SYSTEM



FREQUENCY RESPONSE



SOON

TForce technology is also used in:

## ▶ DAT BOSS MIX

Mix antenna for UHF and Bill joint reception.

## ▶ DAT BOSS LR

UHF Long Range antenna for reception under extremely difficult conditions.



NOVEMBER 2016